

# Professional Services Development Architecture



**For more information**

**Please contact Pixelmetrix Sales at:**  
sales@pixelmetrix.com

**The Americas**

965 N. Nob Hill Rd. #114  
Ft. Lauderdale, FL 33324  
Tel: 954-472-5445  
Fax: 954-472-6989

**Asia Pacific**

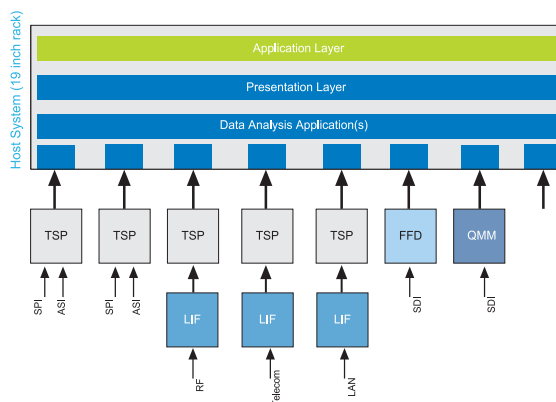
27 Ubi Road  
#05-01 MSL Building  
Singapore 408 618  
Tel: +65 6547 4935  
Fax: +65 6547 4945

**Europe**

Haldenstrasse 24  
CH 8967 Widen, AG  
Switzerland  
Tel: +41 79742 7454  
Fax: +41 86079 742 7454

*The Global Expert  
in Preventative Monitoring  
for Digital Television Networks*

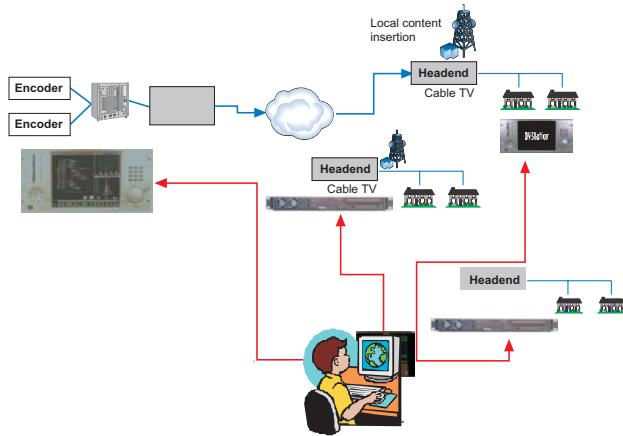
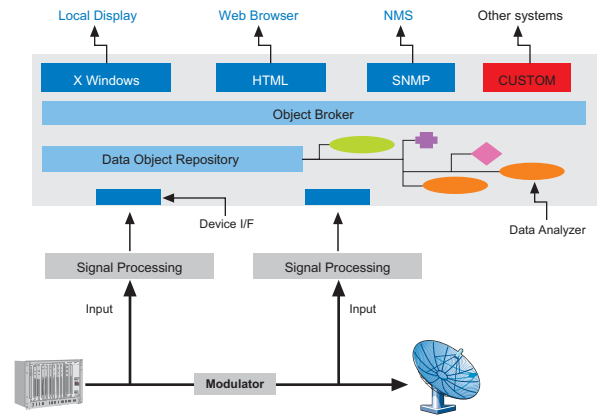
**Pixelmetrix**



# Development Architecture



Pixelmetrix



Ref: PPN30070  
 Copyright © 2002 Pixelmetrix Corporation. All rights reserved.  
 This product includes software developed by LangBox International (<http://www.langbox.com/>)  
 DVStation are trademarks of Pixelmetrix Corporation. Data subject to change without notice.

